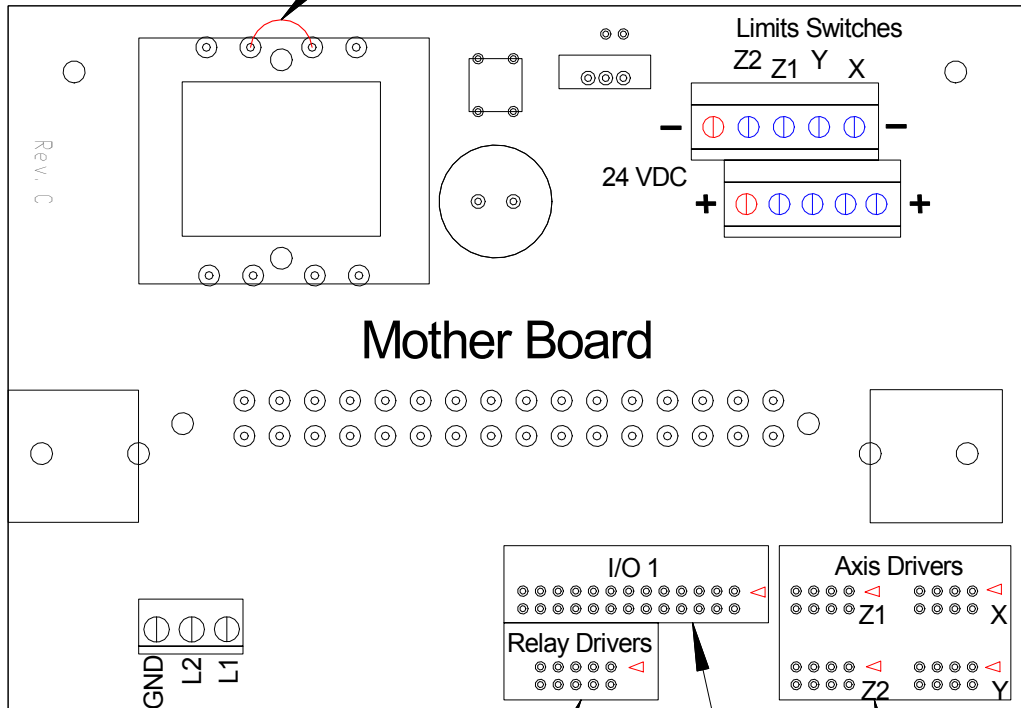


CPU / Mother Board Wiring Diagram

Rev 3 - 4/1/04

Maxym Technologies, Inc.

See Transformer Jumper Settings below

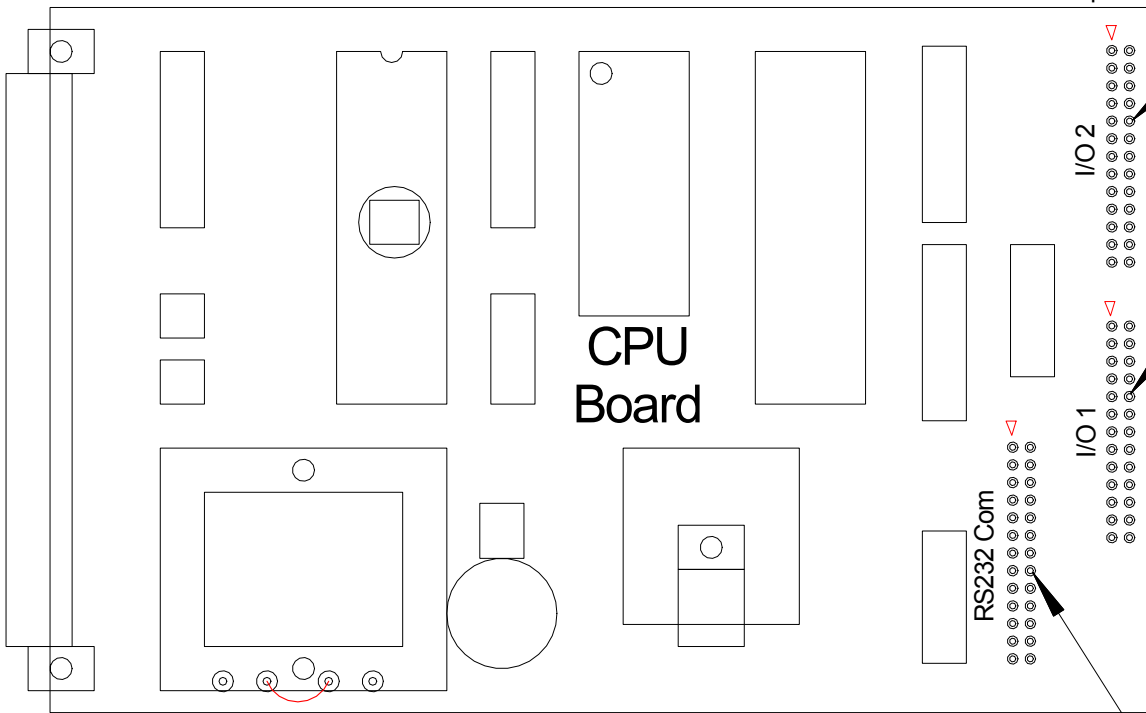
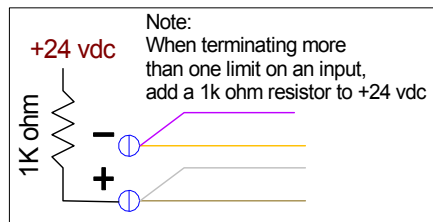
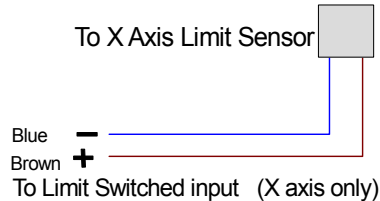
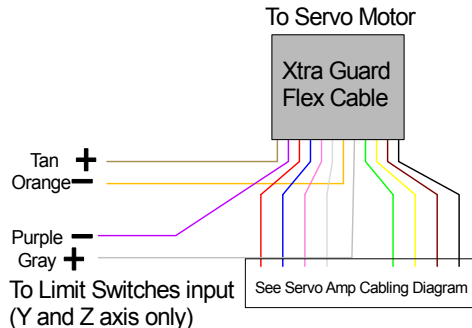


100-130 / 100-230 VAC - 1 / .5 amps
See Transformer Jumper Settings

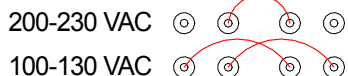
To Solid State Relays
10 pin IDC Female Connector
0.1" ribbon cable - red pin 1

To CPU I/O1 (See below)
26 pin IDC Female Connector
0.1" ribbon cable - red pin 1

To Servo Amps (See Servo Amp Cabling Diagram)
8 pin IDC Female Connector
0.1" ribbon cable - red pin 1



Jumper Settings for Transformer Input Voltage



Note: CPU Transformer Jumpers Should Match Mother Bd.

I/O 2 Expansion (Not used)

To Mother Board I/O1 (See above)

