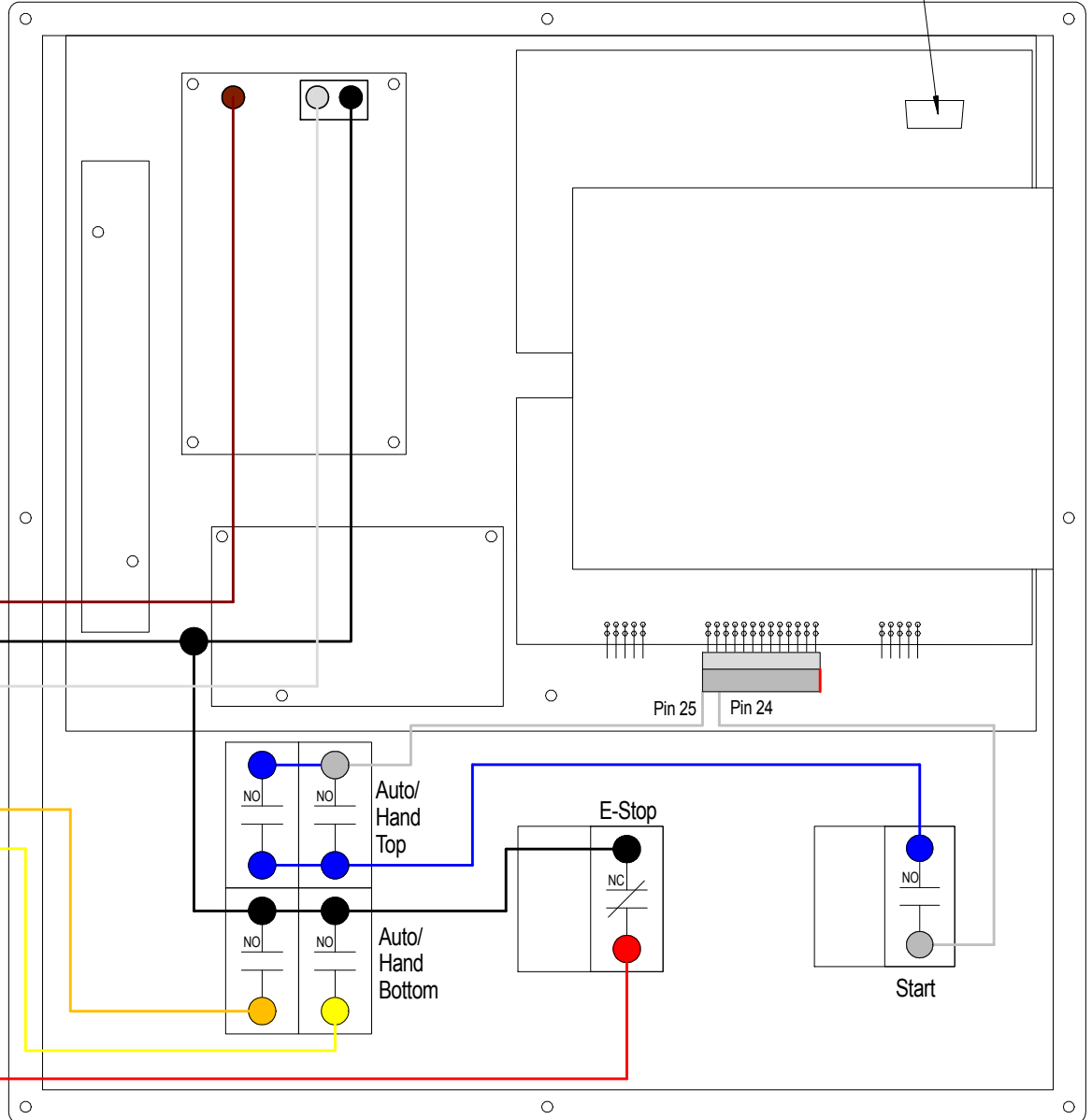
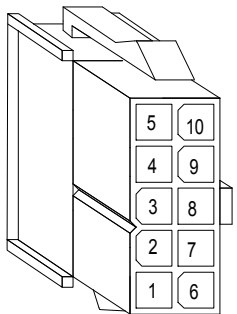


Molex 39-01-2100



- See Molex 39-01-2101 connector detail below
- Pin 4 Ground
 - Pin 7 Power
 - Pin 9 Common
 - Pin 6 Start+
 - Pin 3 Start-
 - Pin 8 Auto
 - Pin 2 Hand
 - Pin 1 E-Stop



Molex 39-01-2101

Touch Screen Control Wiring
4th Axis - Remote Start
Rev 4 - 23/11/04

Maxym Technologies, Inc.