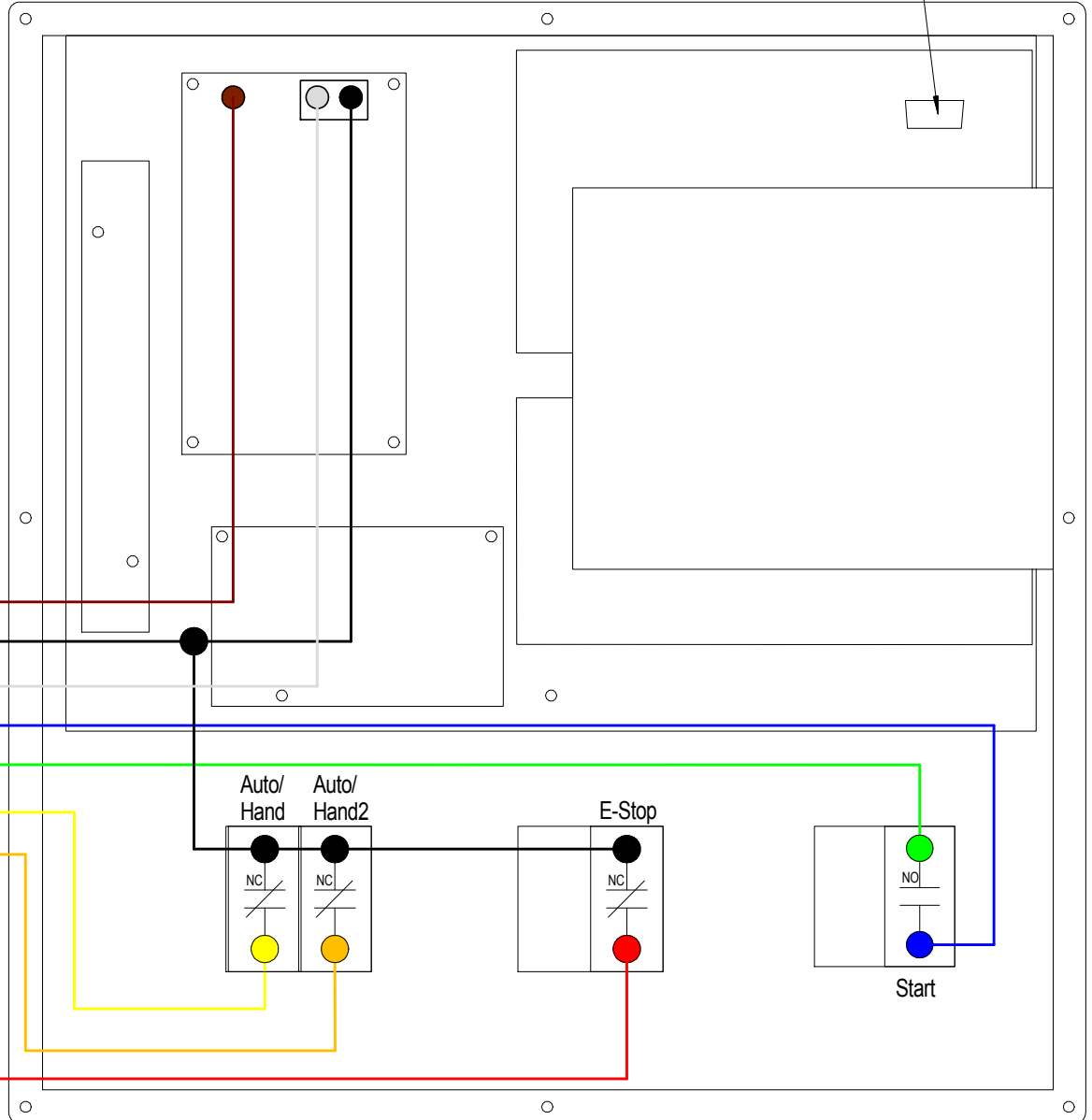
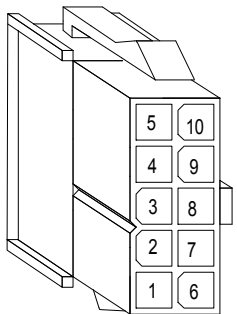


Molex 39-01-2100



- See Molex 39-01-2101 connector detail below
- Pin 8 Ground
 - Pin 7 Power
 - Pin 6 Common
 - Pin 5 Start+
 - Pin 4 Start-
 - Pin 3 Hand
 - Pin 2 Hand2
 - Pin 1 E-Stop



Molex 39-01-2101

Touch Screen Control Wiring
Combo/Mortiser / Tenoner
Rev 6 - 8/31/07