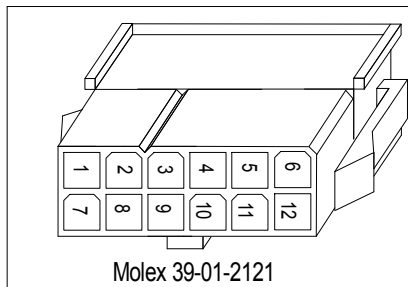
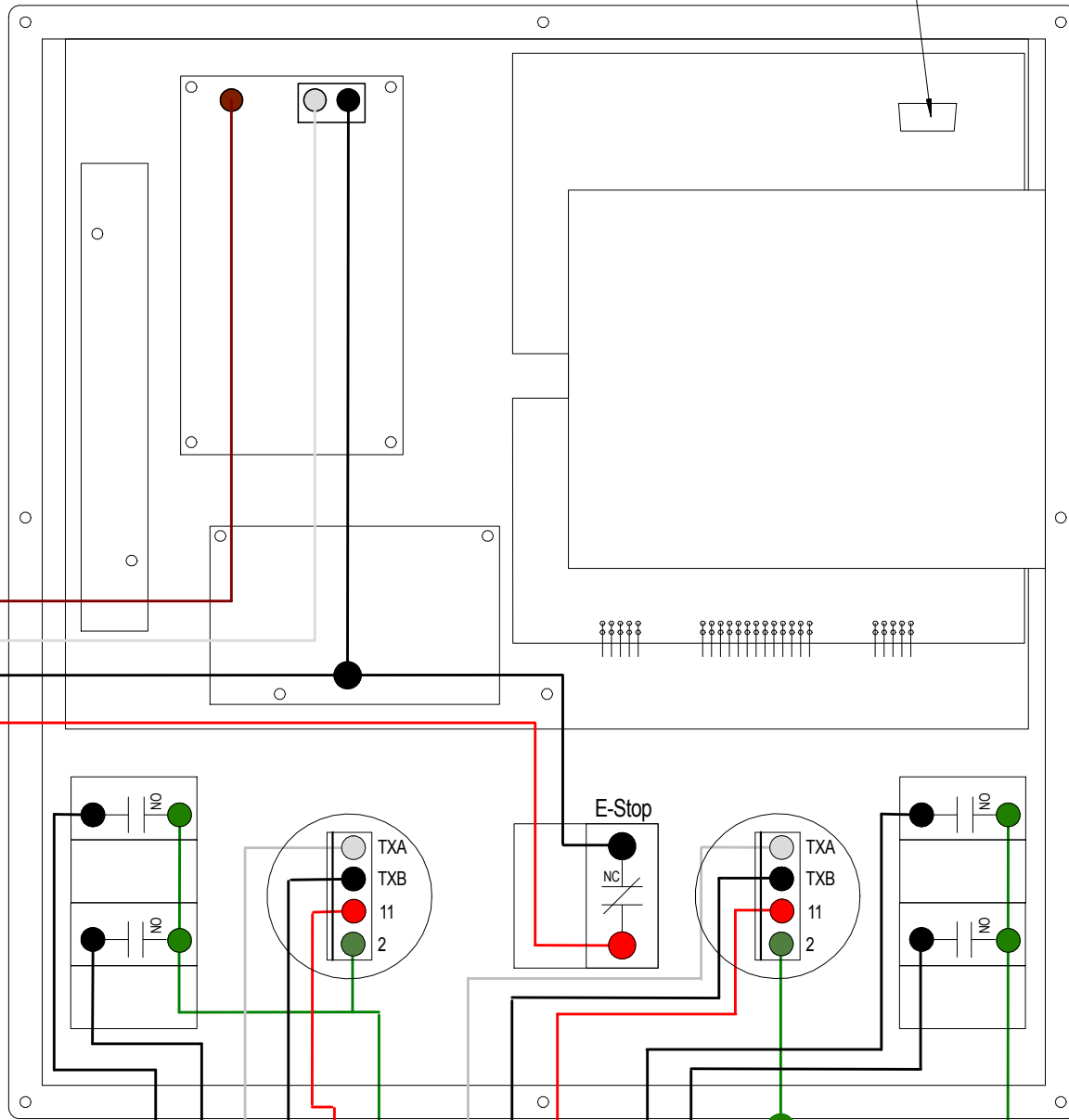
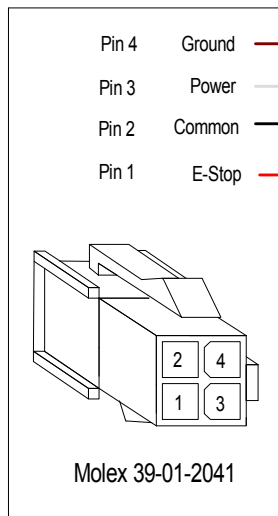
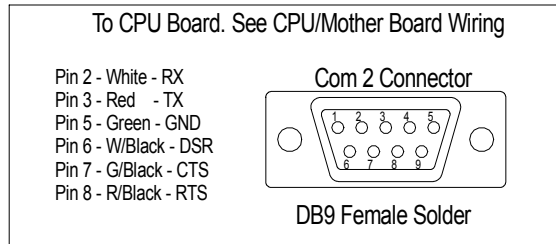
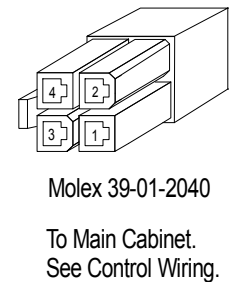
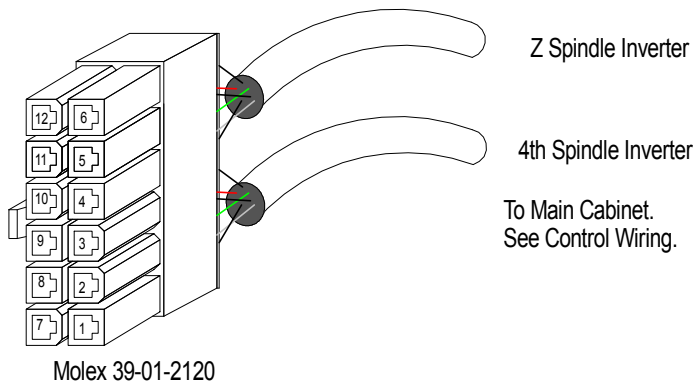


Touch Screen Control Wiring



- Pin 8 GR. Black
- Pin 9 RD. Black
- Pin 1 White
- Pin 2 WH. Black
- Pin 3 Red
- Pin 7 Green

2nd Spindle

- Pin 4 White
- Pin 5 WH. Black
- Pin 6 Red
- Pin 10 Green
- Pin 11 GR. Black
- Pin 12 RD. Black

Z Spindle

Touch Screen Control Wiring
4th Axis - Remote Start
Rev. 2 -6/20/07

Maxym Technologies, Inc.